



Rifle Mounts

for Talion | Trail | Digisight | Apex riflescopes



for

Talion

Trail

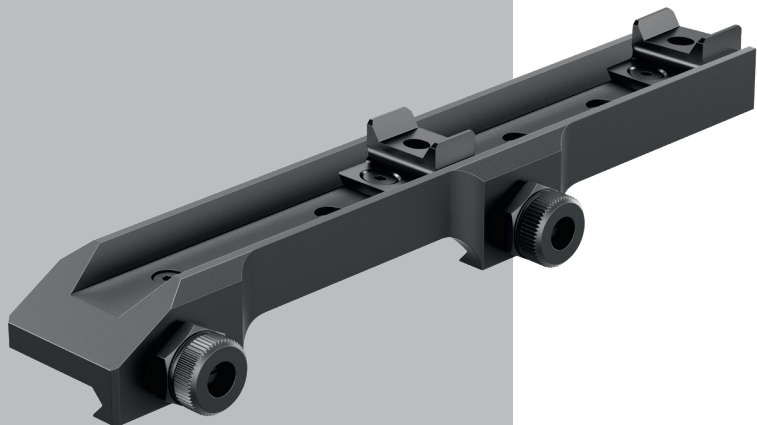
Digisight

Apex

riflescopes

Rifle Mounts

Weaver U Rifle Mount	3
Weaver USQD Rifle Mount	4
Weaver LQD Rifle Mount	5
Prism 14/200 Rifle Mount	6
Los/Dovetail Rifle Mount	7
CZ550 Rifle Mount	8
MAK Adapter	9
H7 Spacers Repair Kits	10
Weaver Rifle Mount	11
Weaver QD112 Mount	12
Weaver SQD Rifle Mount	13
AK Side Rifle Mount	14



Weaver U Rifle Mount

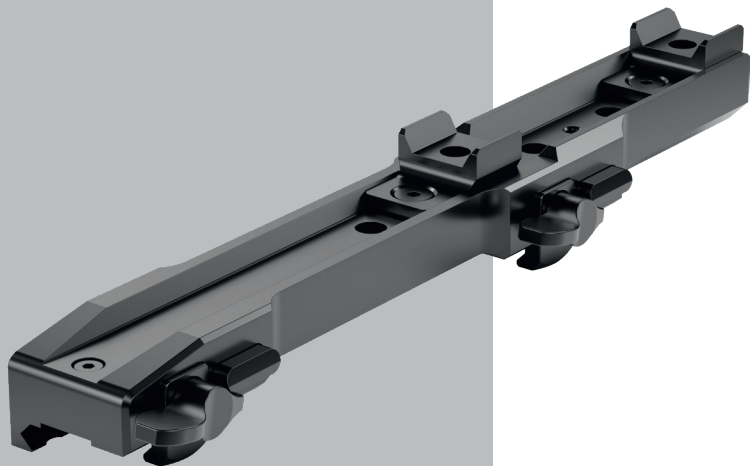
Description:

Weaver U rifle mount is designated for installation of riflescope on hunting weapons, that are equipped with rails of Weaver/Picatinny type. It is a rifle mount of the basic type, it fixed to the rail by steel stop screws. The front part of the rifle mount has a transverse stopper (pin) that prevents shifting of riflescope during the recoil. The pin is removable and bilateral; its position is defined depending on what rail (Weaver or Picatinny) the riflescope is mounted. The rifle mount is supplied with adapters for use with the Talion thermal imaging riflescopes.

Main parameters:

- Total mount length, mm: 204
- Length of mounting part, mm: 148
- Distance between the centers of locking screws, mm: 112

SKU 79201



Weaver USQD Rifle Mount

Description:

Quick-release rifle mount for installation of Pulsar riflescopes on hunting weapons, that are equipped with rails of Weaver/Picatinny type. The mount has a reliable flag locking system with a blocking of accidental opening. Weaver USQD locking mechanisms are secured by locking screws so the rifle mount withstands intensive operation – multiple cycles of removing and installing, vibration and shock loading during firing, the accumulated effect of a large number of shots – including complete repeatability of mounting the riflescope with the rifle mount on the rail, maintaining the point of impact (adjusting) and accuracy of fire. The rifle mount is supplied with adapters for use with the Talion thermal imaging riflescopes.

Main parameters:

- Total mount length, mm: 204
- Length of mounting part, mm: 148
- Distance between the centers of locking screws, mm: 112

SKU 79202



Weaver LQD Rifle Mount

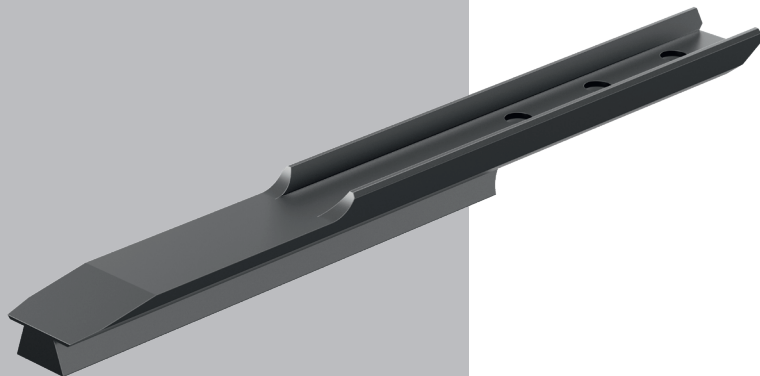
Description:

Quick-release rifle mount for installation of digital and thermal imaging Pulsar riflescopes on weapons with rails of Weaver/Picatinny type. The rifle mount design and high manufacturing accuracy guarantee that the point of impact will not change after removing and re-installing the riflescope with the Weaver LQD rifle mount on the weapon. The rifle mount is fixed on the rail using a lever-type clamp with a locking mechanism to prevent accidental opening when hooked or during intense shooting. The rifle mount is ideal for mounting digital and thermal imaging optics on sporting and hunting weapons based on MSR (modern sporting rifles) / AR-15 platforms. Compatible with Pulsar Trail, Apex, Digsight, Core and Talion series riflescopes.

Main parameters:

- Total mount length, mm: 204
- Length of mounting part, mm: 148

SKU 79203



Prism 14/200 Rifle Mount

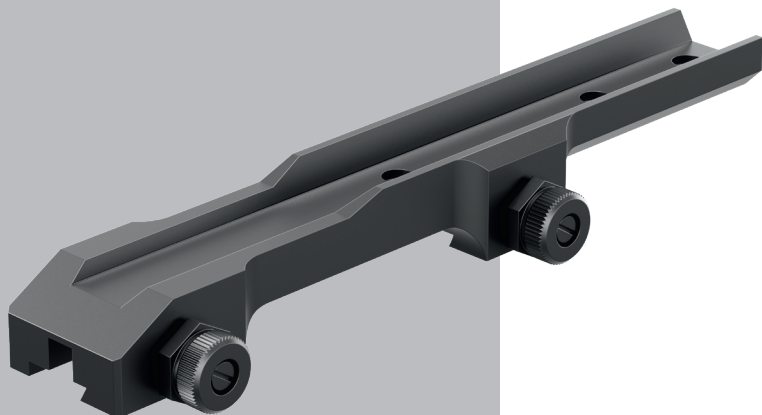
Description:

Rifle mount Prism 14/200 ("Europrism") is a universal base for placing mounts of different manufacturers including EAW (Apel), Blaser, MAK and others.

For use with Talion thermal riflescopes, H7 Spacers Repair Kit (model 00.90503) required.

Main parameters:

- Total mount length, mm: 275
- Length of mounting part, mm: 127



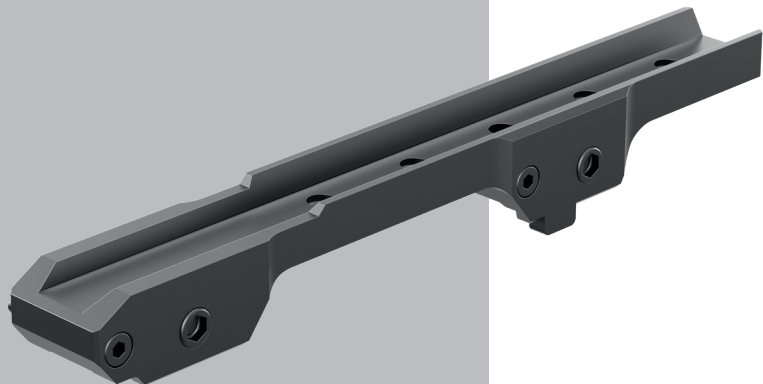
Los/Dovetail Rifle Mount

Description:

Rifle mount Los/Dovetail allows installation of riflescopes on weapons that have upper mount “dovetail” with a maximum width of 14,5. For use with Talion thermal riflescopes, H7 Spacers Repair Kit (model 00.90503) required.

Main parameters:

- Total mount length, mm: 173
- Length of mounting part, mm: 112
- Distance between the centers of locking screws, mm: 87
- Can be installed on the “dovetail” rail with a maximum width, mm: 14,5



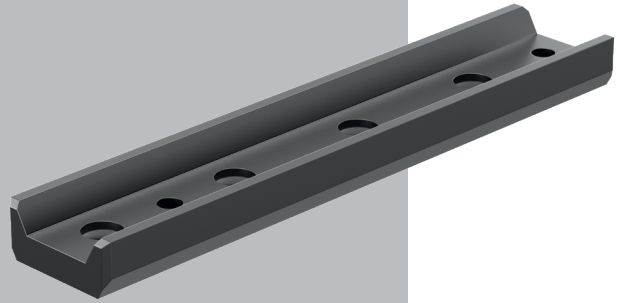
CZ550 Rifle Mounts

Description:

Quick-release mount. Allows installation of riflescopes on carbine CZ-550. For use with Talion thermal riflescopes, H7 Spacers Repair Kit (model 00.90501) required.

Main parameters:

- Total mount length, mm: 204
- Length of mounting part, mm: 145
- Distance between the centers of locking screws, mm: 120



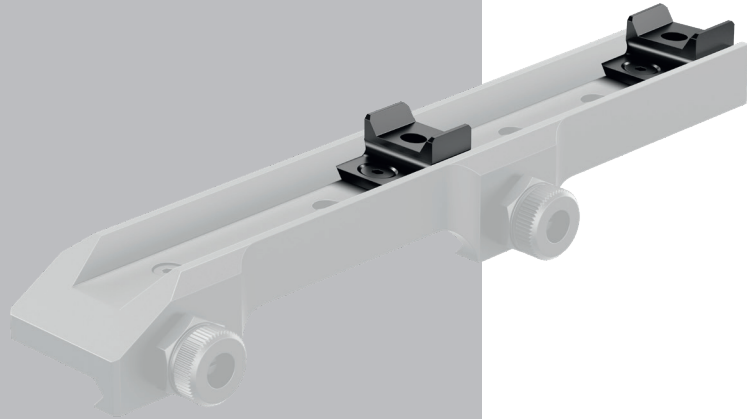
MAK Adapter

Description:

MAK adaptor allows to equip the riflescopes with a monoblock mounts MAK (MAK Milmont, MAR Flex and others) for further installation on the weapon. For use with Talion thermal riflescopes, H7 Spacers Repair Kit (model 00.90503) required.

[↑ To Content](#)

SKU 79046



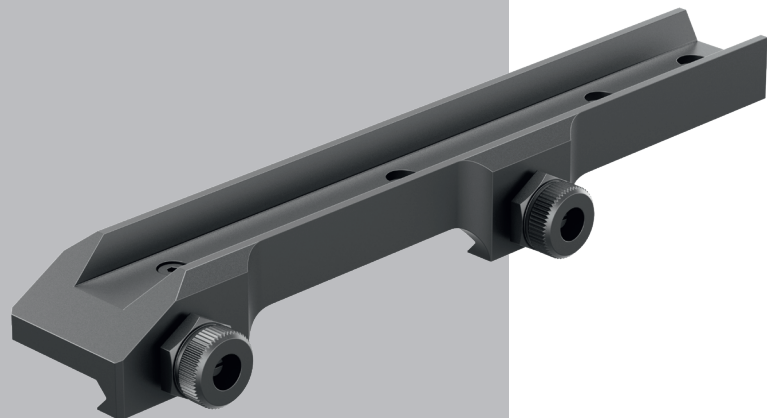
H7 Spacers Repair Kits

Description:

H7 Spacers Repair Kits allow the use of Weaver (SKU # 79045), Weaver QD112 (SKU # 79127), Weaver SQD (SKU # 79177), CZ550 (SKU # 79129), Prism mounts 14/200 (SKU # 79047), Los/Dovetail (SKU # 79048), MAK Adapter (SKU # 79046) with Talion thermal riflescopes. The H7 spacer is a 7 mm high metal part that allows you to ensure the necessary clearance between the mount and the rail of the Talion scope in order to properly connect the mount to the scope. H7 Spacers Repair Kits include H7 spacers (2 each), individual screw sets, and a wrench.

Main parameters:

- 00.90500 H7 Spacers Repair Kit
(for Weaver SQD, Weaver QD112 mounts)
- 00.90501 H7 Spacers Repair Kit
(for CZ550 mount)
- 00.90503 H7 Spacers Repair Kit
(for Weaver, Prism, Los, MAK Adapter mounts)



Weaver Rifle Mount

Description:

Weaver U rifle mount is designated for installation of riflescope on hunting weapons, that are equipped with rails of Weaver/Picatinny type. It is a rifle mount of the basic type, it fixed to the rail by steel stop screws. The front part of the rifle mount has a transverse stopper (pin) that prevents shifting of riflescope during the recoil. The pin is removable and bilateral; its position is defined depending on what rail (Weaver or Picatinny) the riflescope is mounted. For use with Talion thermal riflescopes, H7 Spacers Repair Kit (model 00.90503) required.

Main parameters:

- Total mount length, mm: 204
- Length of mounting part, mm: 148
- Distance between the centers of locking screws, mm: 112

DISCONTINUED

SKU 79045



Weaver QD112 Mount

Description:

Weaver U rifle mount is designated for installation of riflescope on hunting weapons, that are equipped with rails of Weaver/Picatinny type. It is a rifle mount of the basic type, it fixed to the rail by steel stop screws. The front part of the rifle mount has a transverse stopper (pin) that prevents shifting of riflescope during the recoil. The pin is removable and bilateral; its position is defined depending on what rail (Weaver or Picatinny) the riflescope is mounted. For use with Talion thermal riflescopes, H7 Spacers Repair Kit (model 00.90500) required.

Main parameters:

- Total mount length, mm: 204
- Length of mounting part, mm: 148
- Distance between the centers of locking screws, mm: 112

DISCONTINUED

SKU 79127



Weaver SQD Rifle Mount

Description:

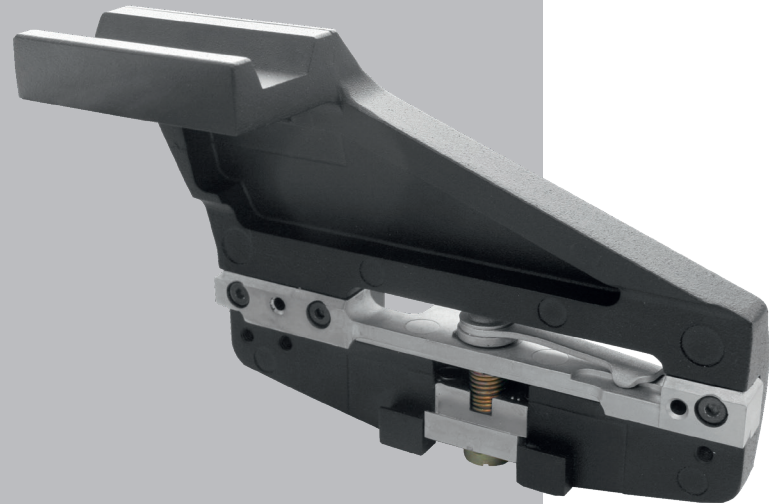
Weaver U rifle mount is designated for installation of riflescope on hunting weapons, that are equipped with rails of Weaver/Picatinny type. It is a rifle mount of the basic type, it fixed to the rail by steel stop screws. The front part of the rifle mount has a transverse stopper (pin) that prevents shifting of riflescope during the recoil. The pin is removable and bilateral; its position is defined depending on what rail (Weaver or Picatinny) the riflescope is mounted. For use with Talion thermal riflescopes, H7 Spacers Repair Kit (model 00.90500) required.

Main parameters:

- Total mount length, mm: 204
- Length of mounting part, mm: 148
- Distance between the centers of locking screws, mm: 112

DISCONTINUED

SKU 79177



AK Side Rifle Mount

Description:

The AK Side Rifle Mount allows to mount thermal and digital riflescopes on Soviet and Russian-made weapons equipped with a dovetail side rail, including Sajga, Tigr, Vepr carbines, etc.

[↑ To Content](#)

DISCONTINUED

SKU 79049



www.pulsar-vision.com